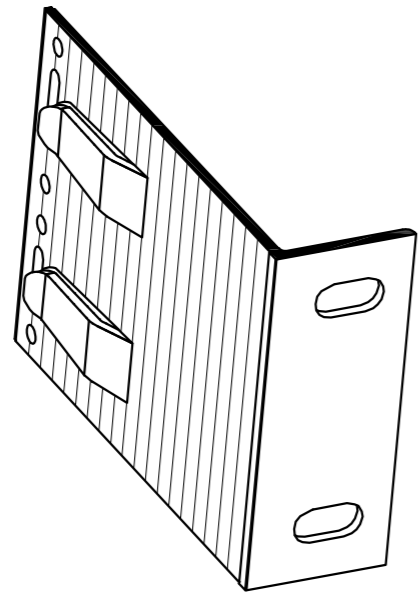
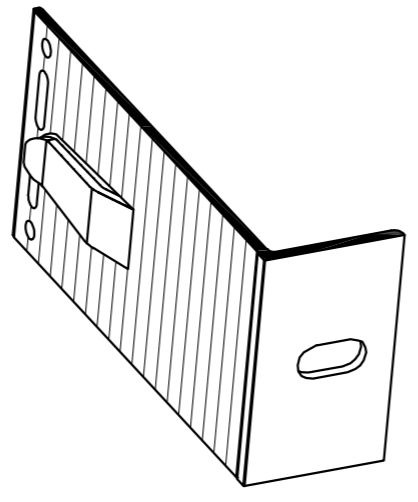


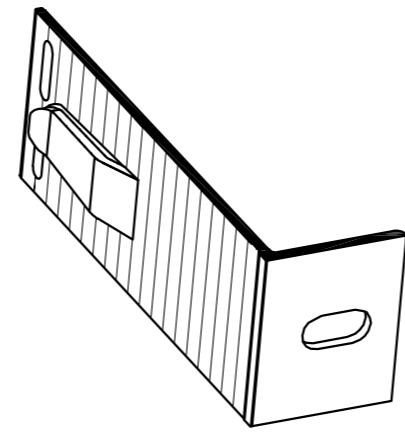
KL-50Y
 KL-80Y
 KL-110Y
 KL-150Y
 KL-190Y
 KL-230Y



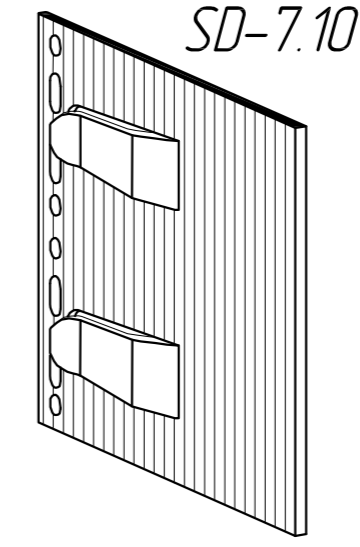
KL-50B
 KL-80B
 KL-110B
 KL-150B
 KL-190B
 KL-230B



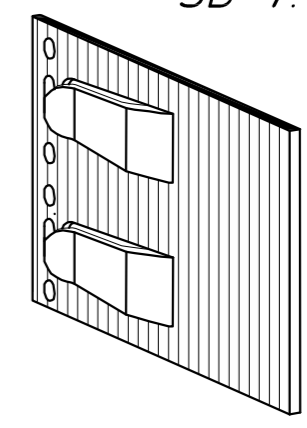
KL-50M
 KL-80M
 KL-110M
 KL-150M
 KL-190M
 KL-230M



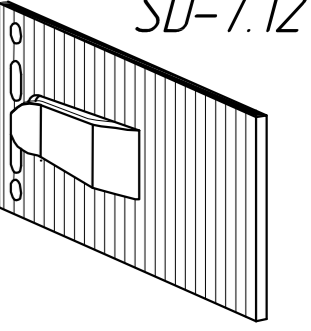
KL-50B
 KL-80B
 KL-110B
 KL-150B
 KL-190B
 KL-230B



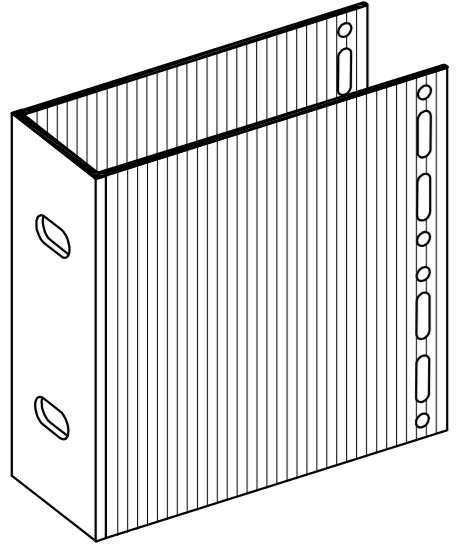
SD-7.10



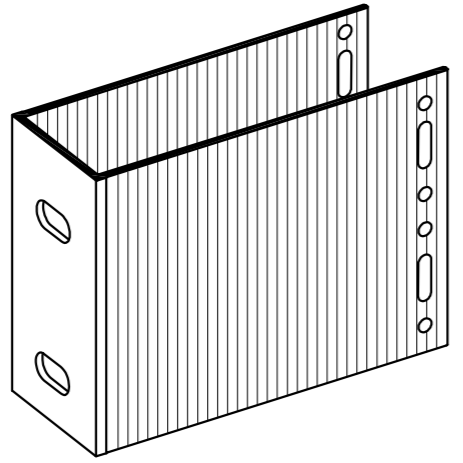
SD-7.11



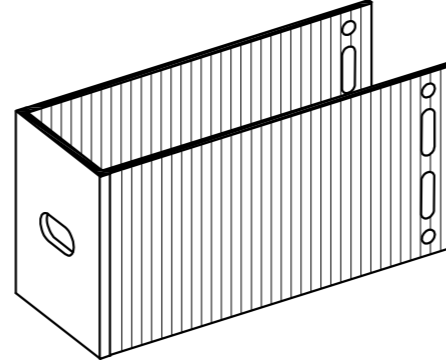
SD-7.12



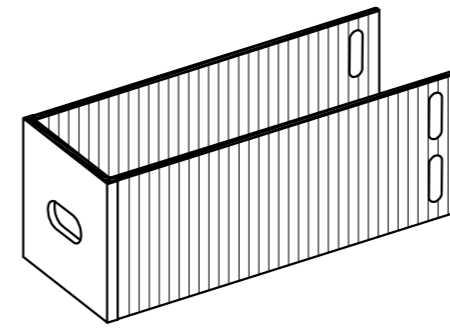
KP-80Y
 KP-110Y
 KP-150Y
 KP-190Y
 KP-230Y



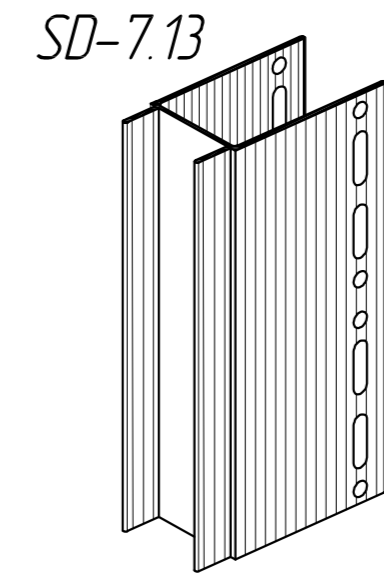
KP-80B
 KP-110B
 KP-150B
 KP-190B
 KP-230B



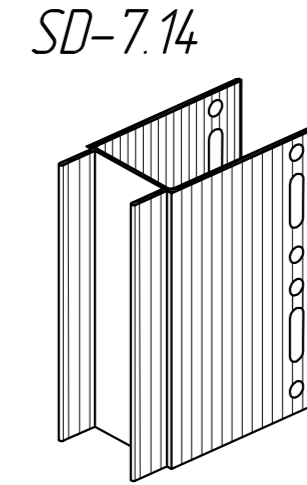
KP-80M
 KP-110M
 KP-150M
 KP-190M
 KP-230M



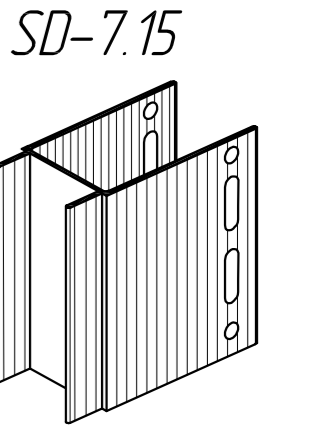
KP-80B
 KP-110B
 KP-150B
 KP-190B
 KP-230B



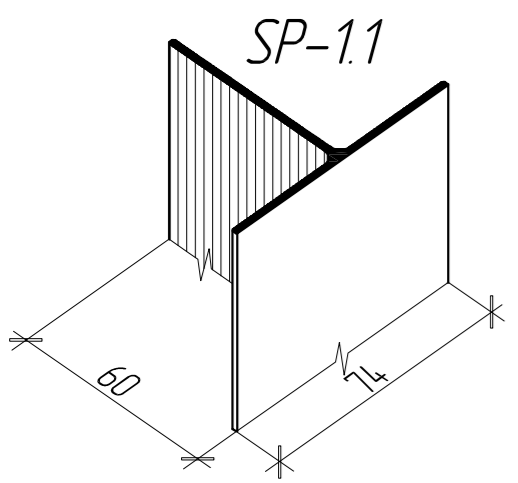
SD-7.13



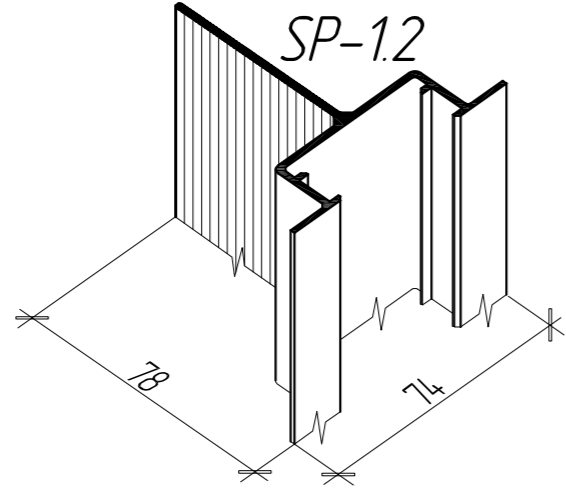
SD-7.14



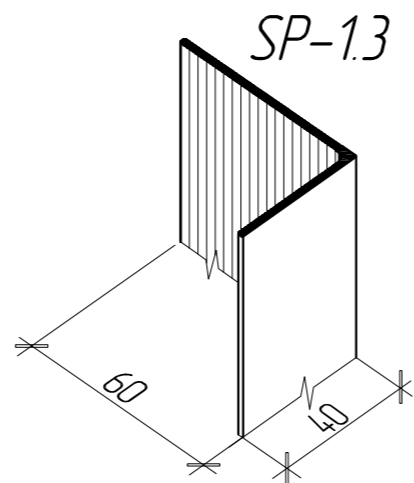
SD-7.15



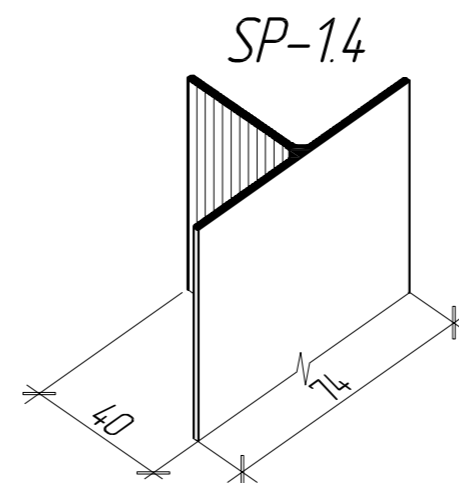
SP-11



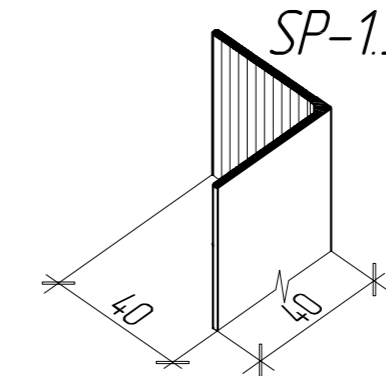
SP-12



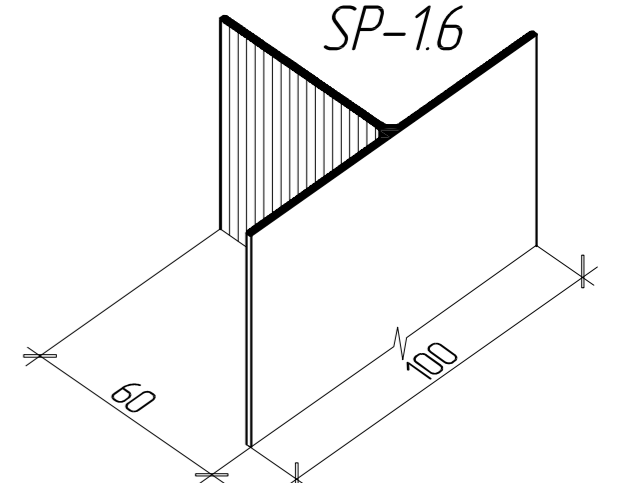
SP-13



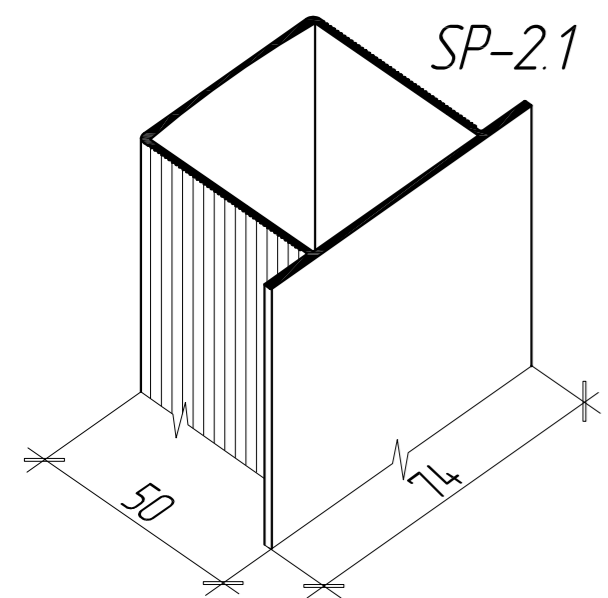
SP-14



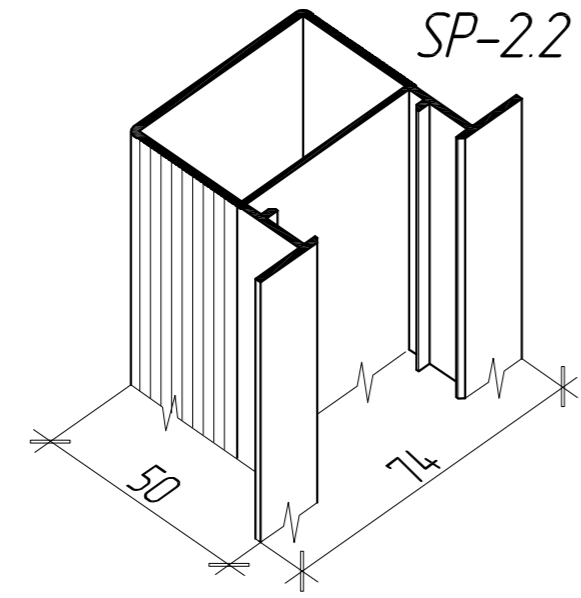
SP-15



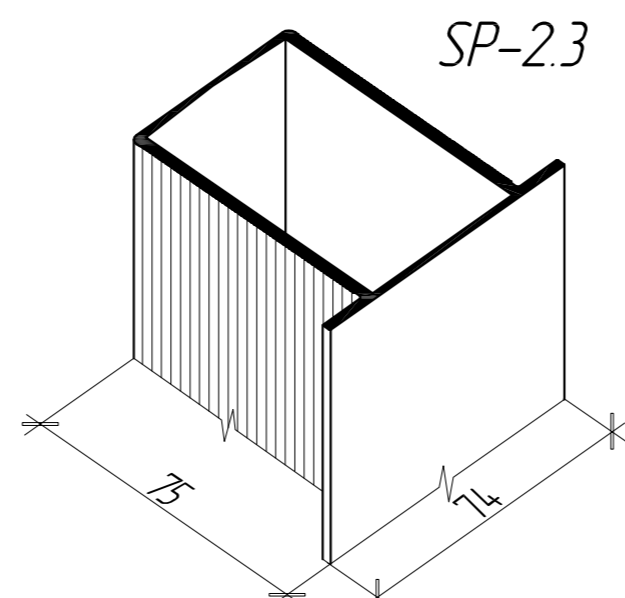
SP-16



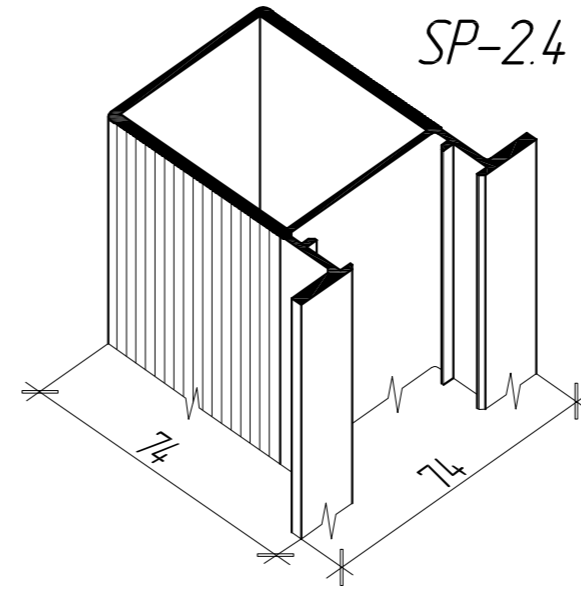
SP-2.1



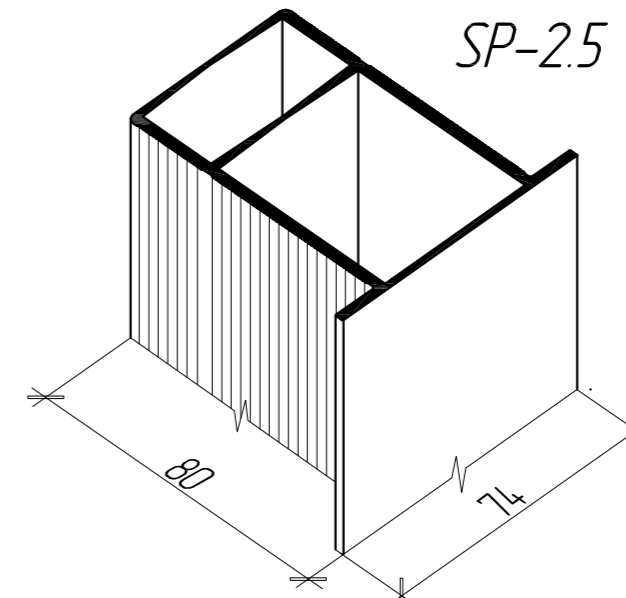
SP-2.2



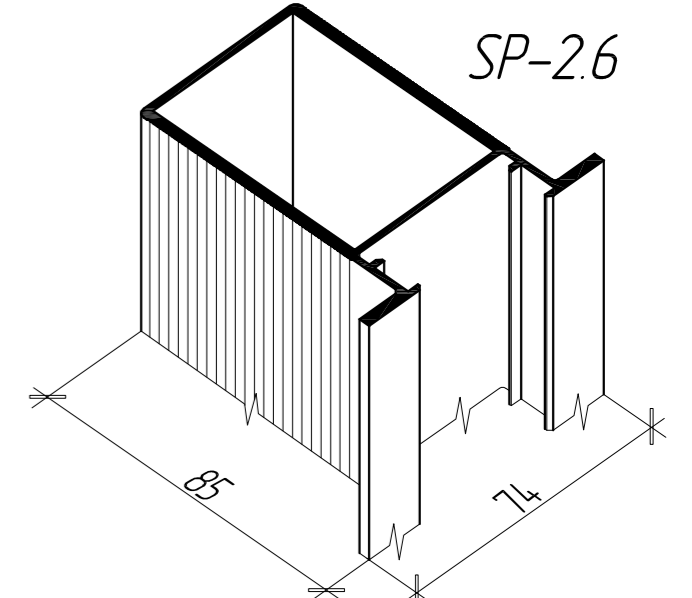
SP-2.3



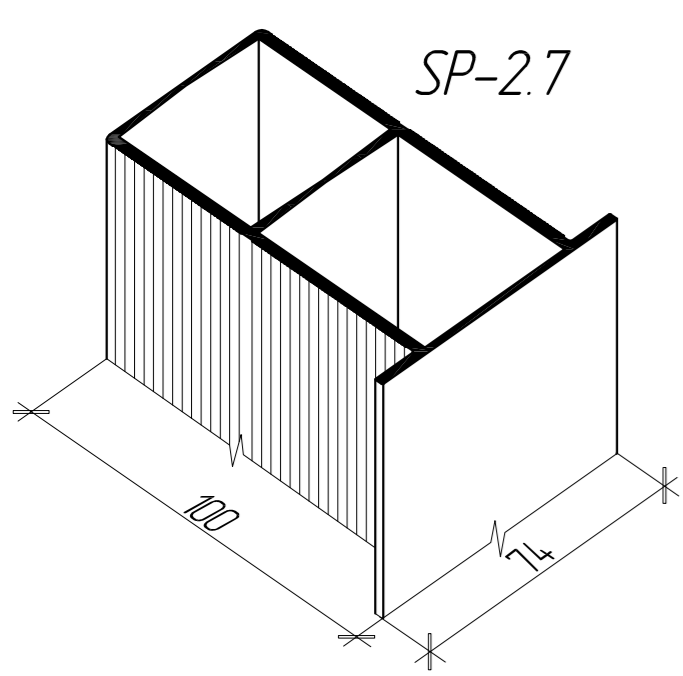
SP-2.4



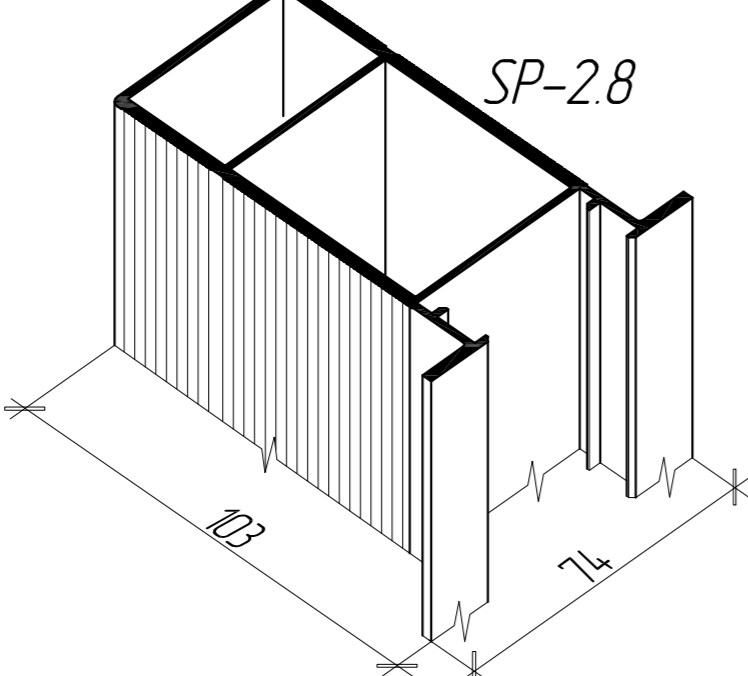
SP-2.5



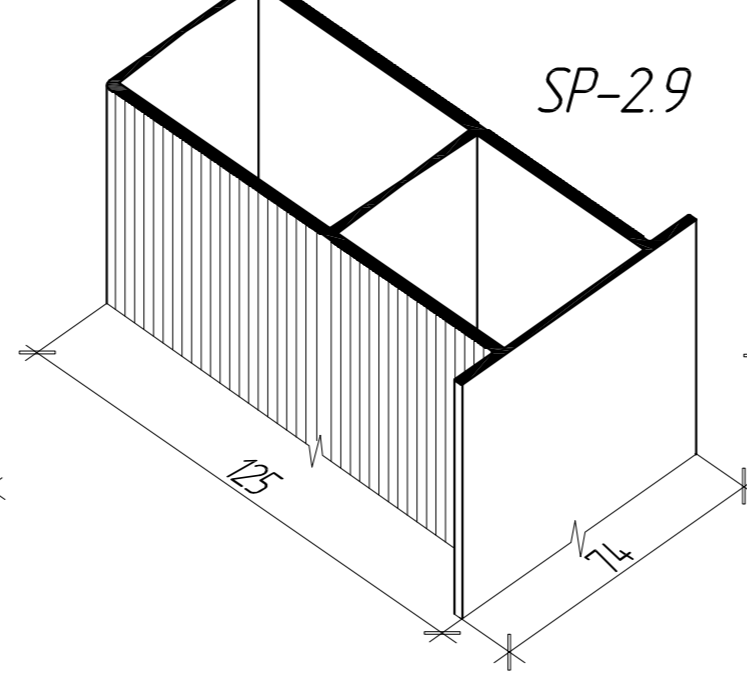
SP-2.6



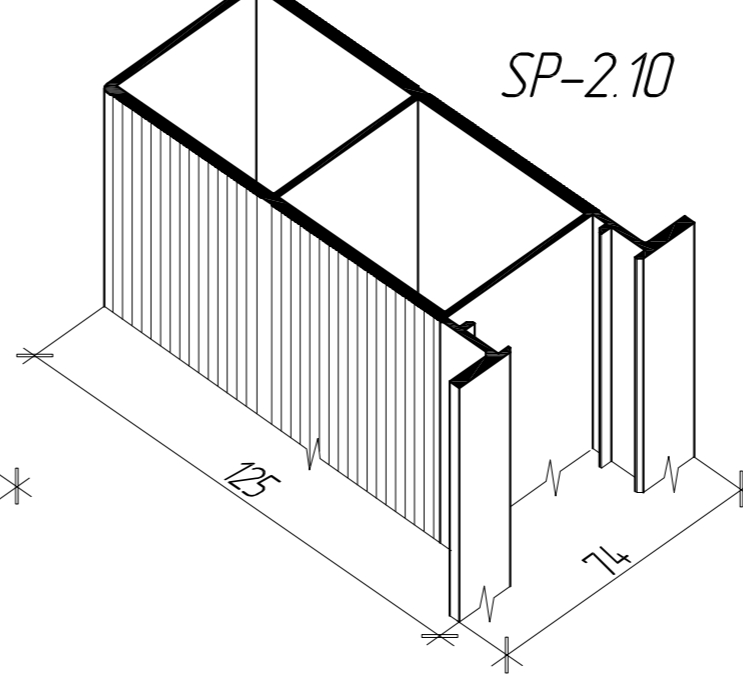
SP-2.7



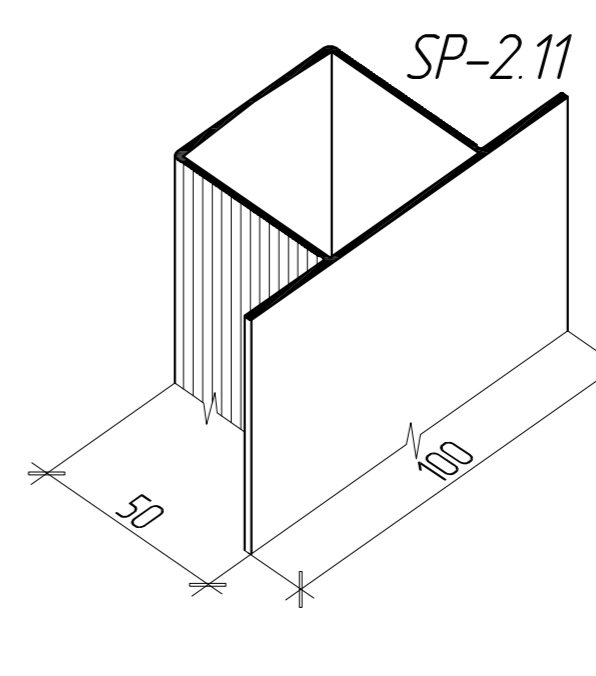
SP-2.8



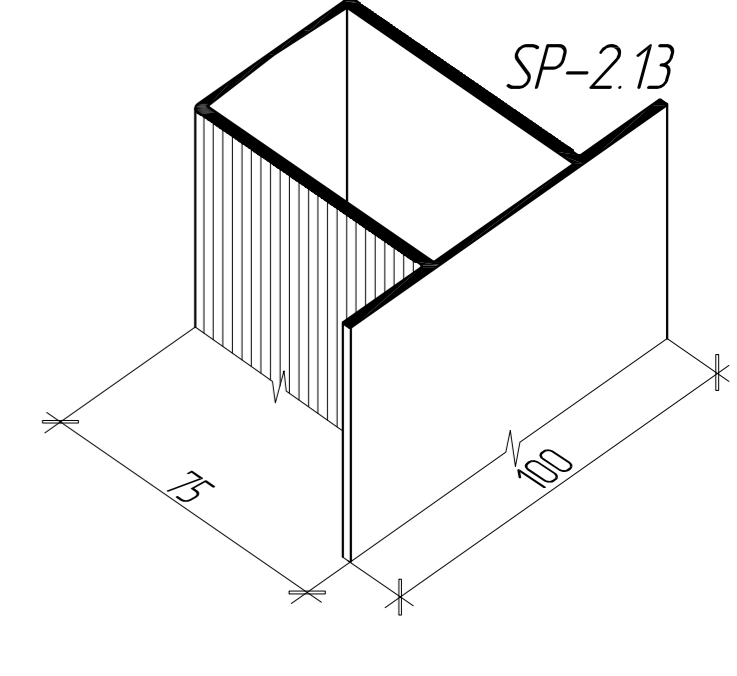
SP-2.9



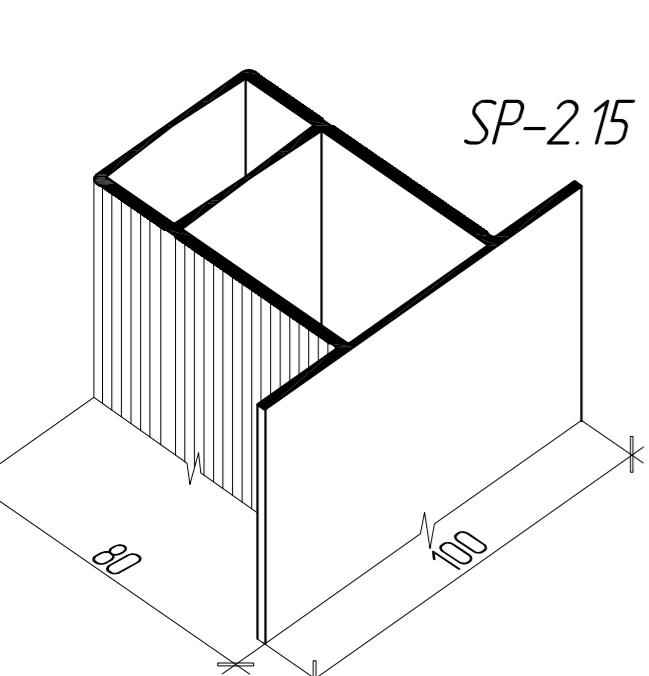
SP-2.10



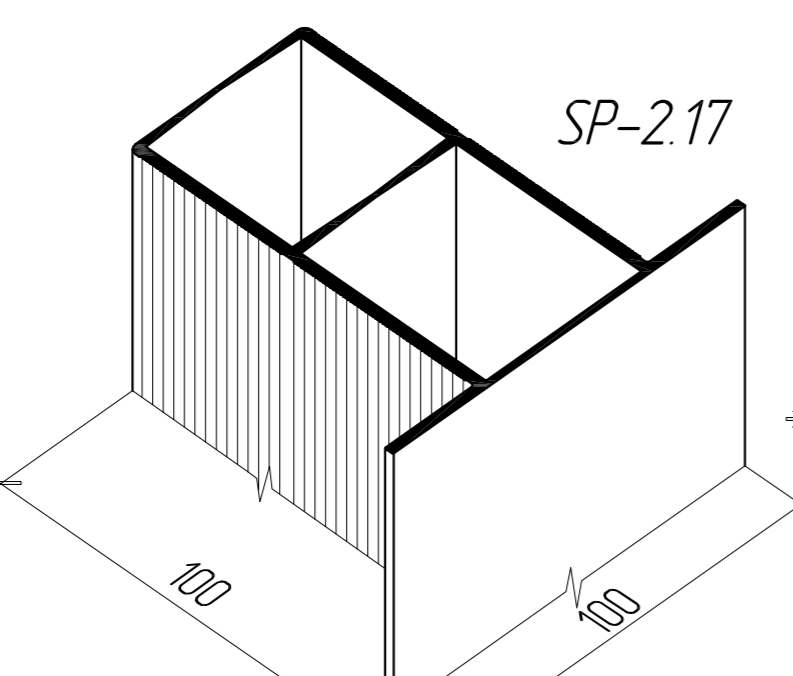
SP-2.11



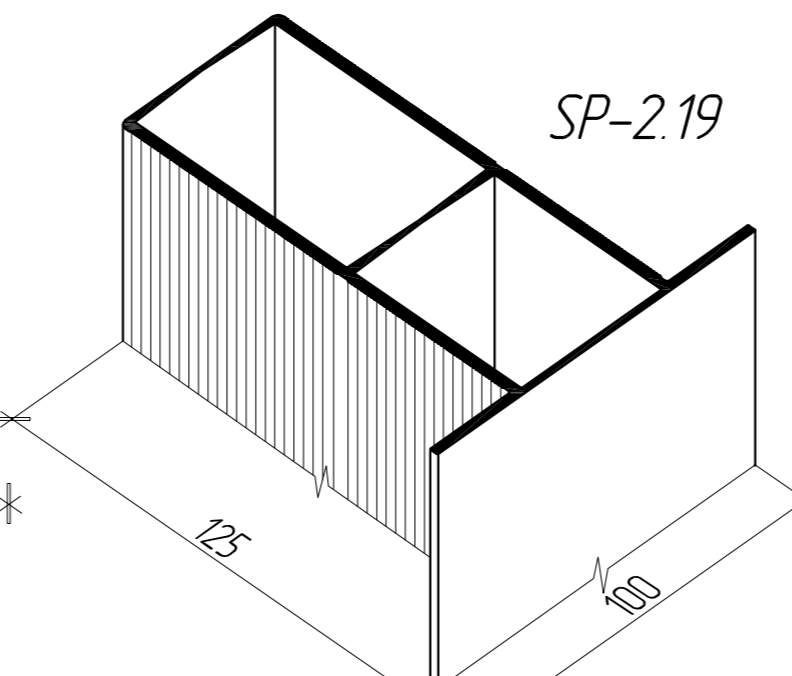
SP-2.13



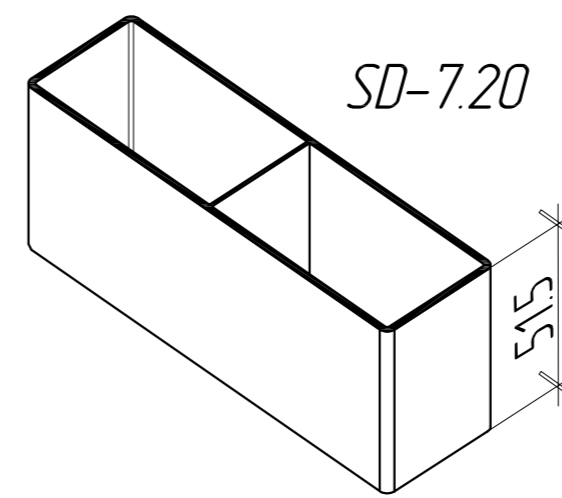
SP-2.15



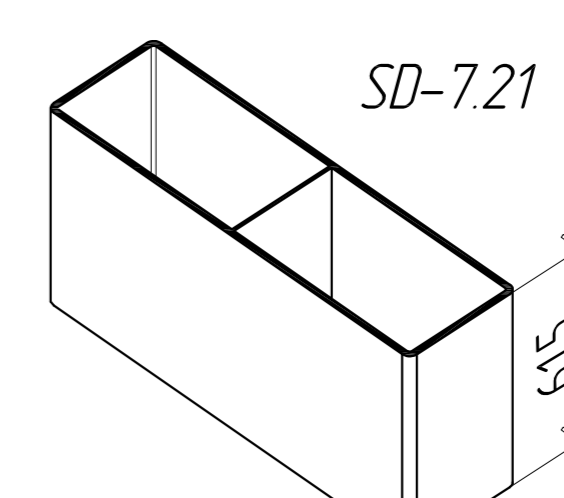
SP-2.17



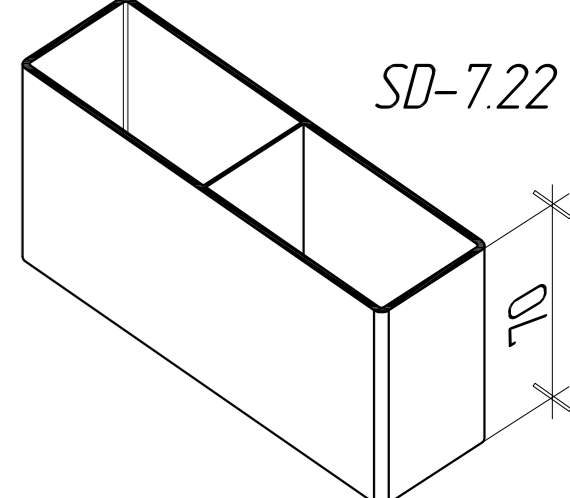
SP-2.19



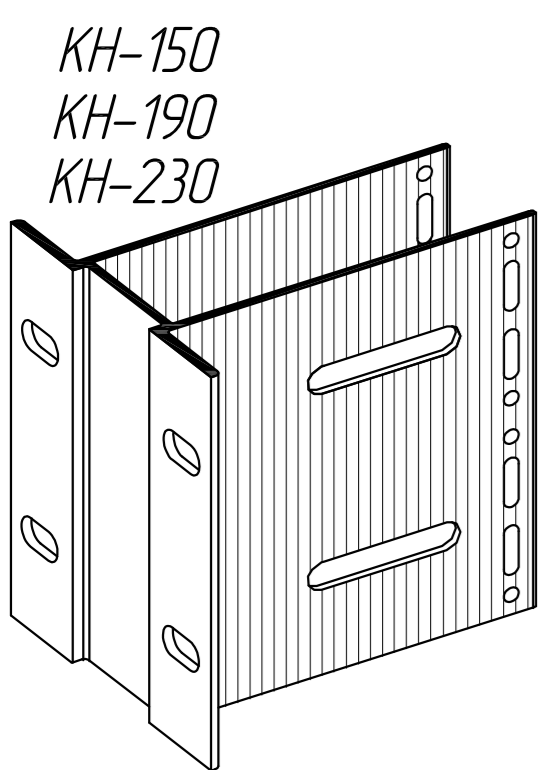
SD-7.20



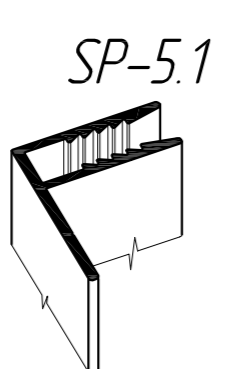
SD-7.21



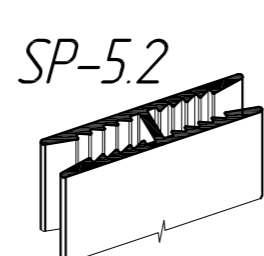
SD-7.22



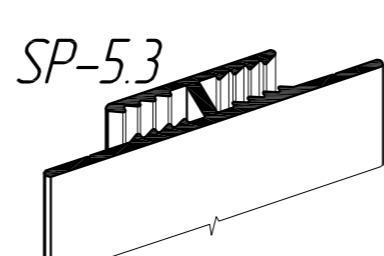
KH-150
 KH-190
 KH-230



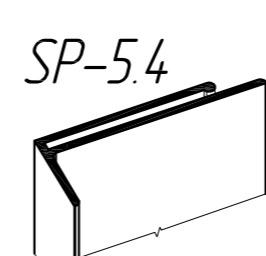
SP-5.1



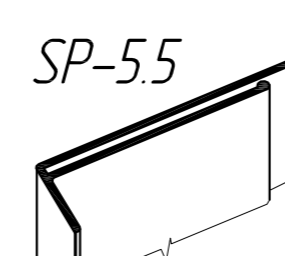
SP-5.2



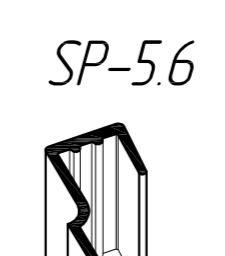
SP-5.3



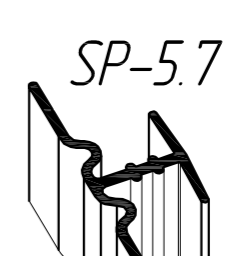
SP-5.4



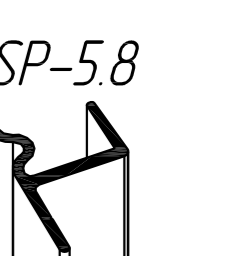
SP-5.5



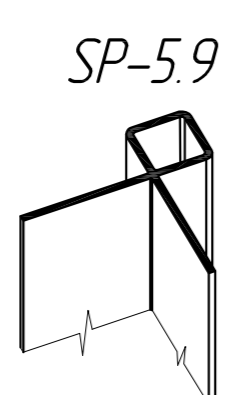
SP-5.6



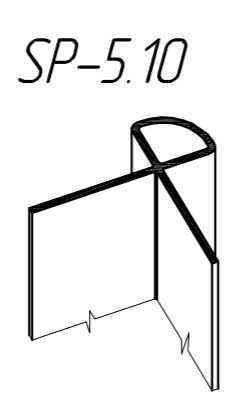
SP-5.7



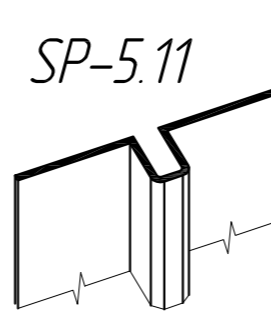
SP-5.8



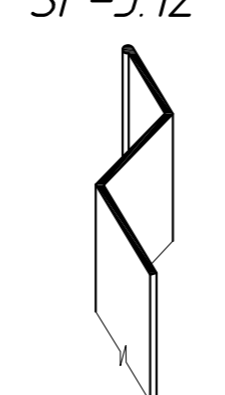
SP-5.9



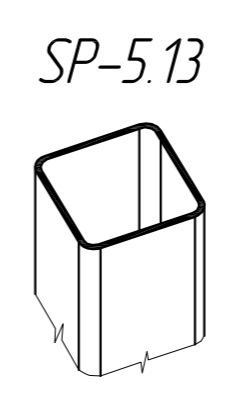
SP-5.10



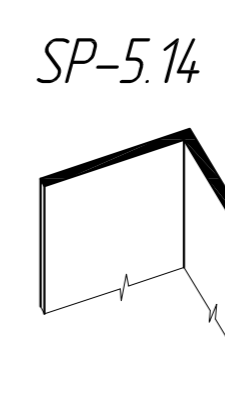
SP-5.11



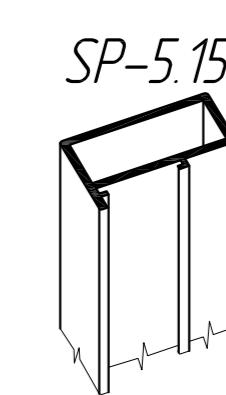
SP-5.12



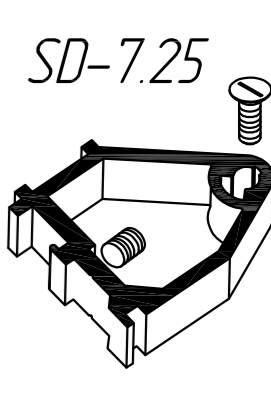
SP-5.13



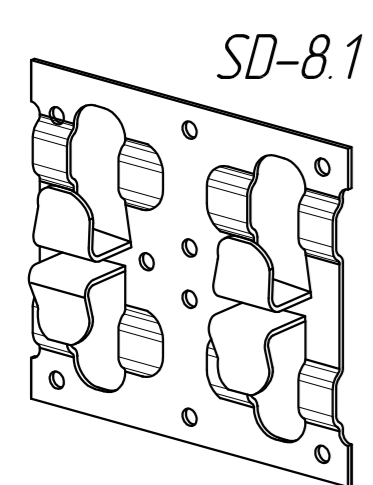
SP-5.14



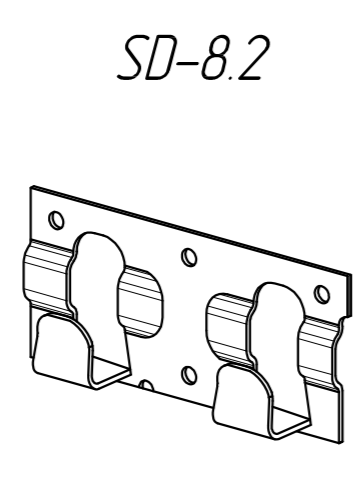
SP-5.15



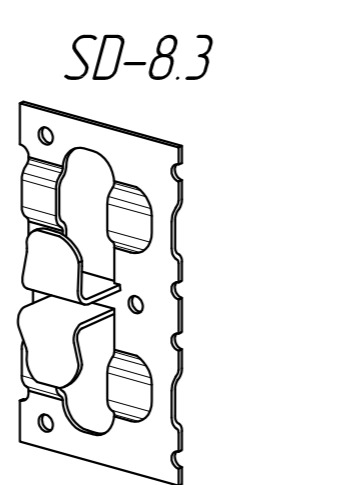
SD-7.25



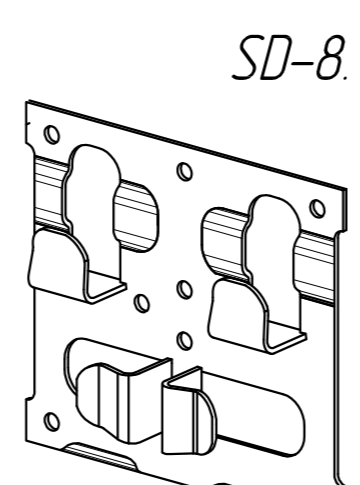
SD-8.1



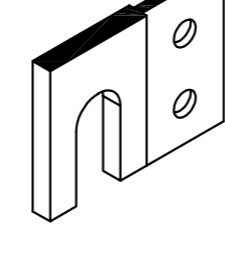
SD-8.2



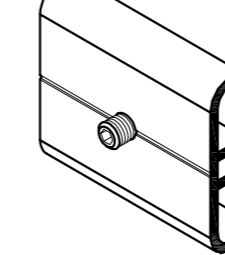
SD-8.3



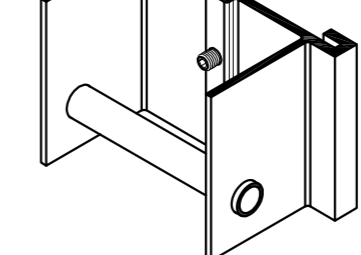
SD-8.7



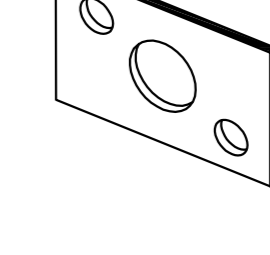
SD-7.1



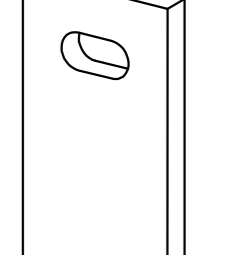
SD-7.2



SD-7.3



SD-7.4



SD-9.1

SD-8.4

SD-8.5

SD-8.6

SD-8.8

SD-8.9

SD-8.10

SD-10.1

SD-10.2

SD-9.2